

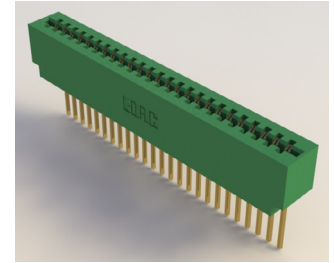
# 317 SERIES



## Card Edge Connector 0.156" (3.96mm) Pitch

### Features:

- 0.156" (3.96mm) contact spacing x 0.200" (5.08mm) row spacing
- Accepts 0.062" (1.57mm) nominal thickness P.C. board
- High profile insulator body, 0.720" (18.29mm)
- Contact termination 0.045" (1.14mm) square wire wrap
- Single or dual row configurations
- Large variety of mounting options
- Accepts between contact and in-contact polarizing keys
- Pre-assembled card guides are available
- RoHS Compliant



### Specifications:

Insulator Material	UL 94V-0 Diallyl Phthalate, Green Color
Contact Material	Copper Alloy
Contact Plating	Gold Plating with Nickel underplating all over
Current Rating	5 amps
Contact Resistance	10 milliohms maximum
Dielectric Withstanding Voltage	1800 V AC rms at sea level between adjacent contacts
Insulation Resistance	5000 megaohms minimum
Operating Temperature	-65°C to +125°C
Insertion Force	16 oz (4.45 N) maximum per contact pair when tested with .070" (1.78mm) thick gauge
Withdrawal Force	1 oz (0.28 N) minimum per contact pair when tested with .054" (1.37mm) thick gauge

Example Part Number: **317-072-542-808**



Mounting Options:	Description:
01	No Mounting Lug
02	Ø.144" (Ø3.66mm) Mounting Holes
03	Ø.116" (Ø2.95mm) I.D. Floating Eyelets
04	Ø.156" (Ø3.96mm) Mounting Holes
07	M3-0.5 Metric Threaded Inserts
08	#4-40 Unified Threaded Inserts
78	In-Line Card Guides

#### Series:

317

#### Total Number of Contacts:

006, 007, . . . . 043

012, 014, . . . . 086

#### Contact Rows:

Single Row

Dual Row

Contact Code: Tail Description: Tail Size: Tail Length "G":

#### Single Row Contacts - Read One Side of Daughter Board

542 Wire Hole .045 Square (1.14 Square) .750(19.05)

#### Single Row Contacts - Read Both Sides of Daughter Board

541 Wire Wrap .045 Square (1.14 Square) .750(19.05)

#### Dual Row Contacts - Read Both Sides of Daughter Board

540 Wire Wrap .045 Square (1.14 Square) .750(19.05)

542 Wire Wrap .045 Square (1.14 Square) .750(19.05)

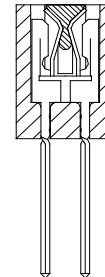
543 Wire Wrap .045 Square (1.14 Square) .900(22.86)

Contact Rows: Description:

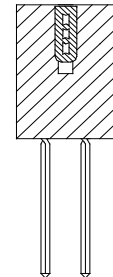
6 Single Row

8 Dual Row

IN-CONTACT  
POLARIZING KEY  
P/N 321-240-328



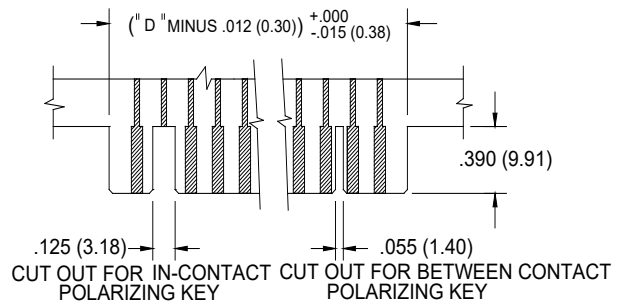
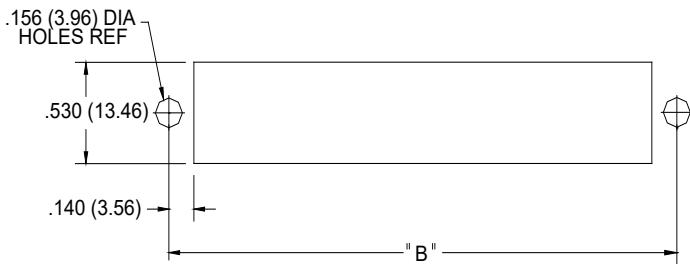
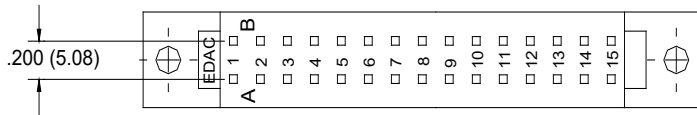
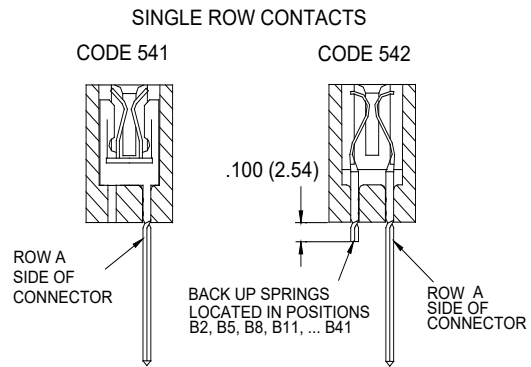
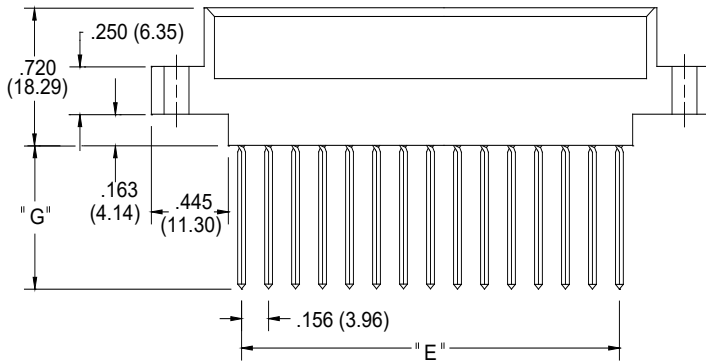
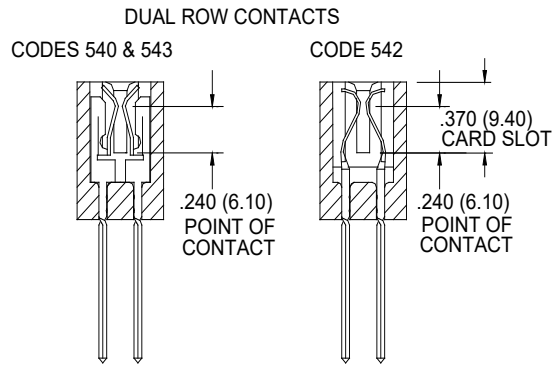
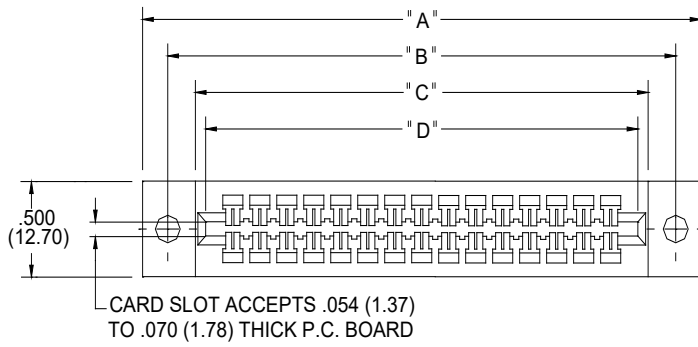
IN-CONTACT  
POLARIZING KEY  
P/N 334-240-318



#### Ordering Code Notes:

- 1) All connector sizes up to 43 contacts single row / 86 contacts dual row are available upon request.
- 2) For details of the mounting options refer to next pages.

## Card Edge Connector 0.156" (3.96mm) Pitch



CONNECTOR MOUNTING PATTERN  
 PANEL MOUNT CUT OUT

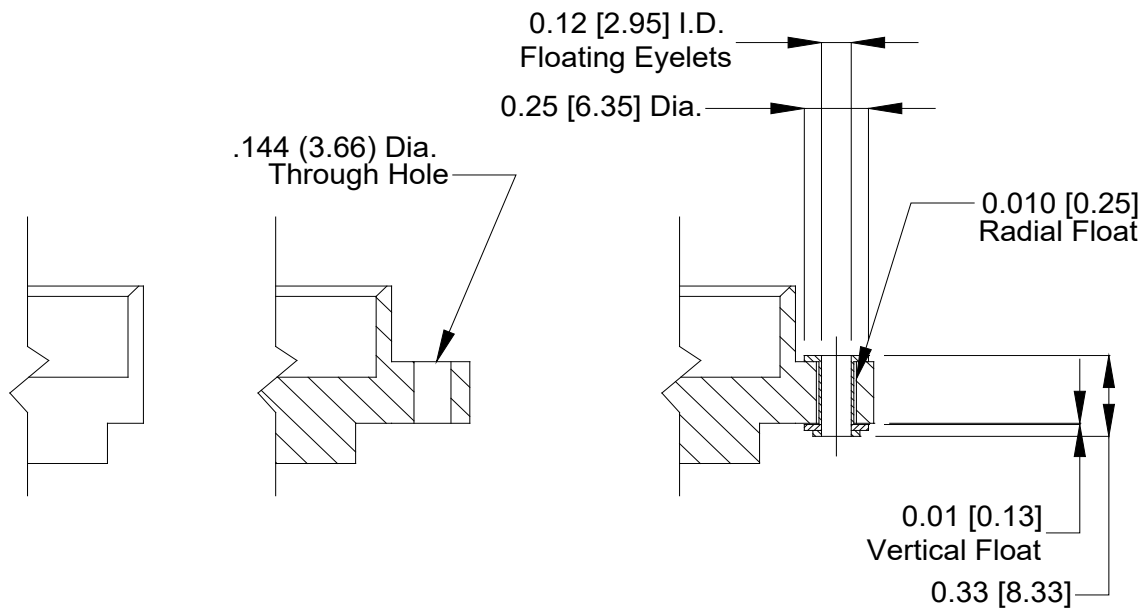
RECOMMENDED DAUGHTER BOARD

NUMBER OF CONTACTS		"A"		"B"		"C"		"D"		"E"	
Single	Double	Inch	mm	Inch	mm	Inch	mm	Inch	mm	Inch	mm
6	12	1.830	46.48	1.539	39.09	1.220	30.99	1.100	27.94	0.780	19.81
10	20	2.454	62.33	2.163	54.94	1.844	46.84	1.724	43.79	1.404	35.66
15	30	3.234	82.14	2.943	74.75	2.624	66.65	2.504	63.60	2.184	55.47
18	36	3.702	94.03	3.411	86.64	3.092	78.54	2.972	75.49	2.652	67.36
22	44	4.326	109.88	4.035	102.49	3.716	94.39	3.596	91.34	3.276	83.21
25	50	4.794	121.77	4.503	114.38	4.184	106.27	4.064	103.23	3.744	95.10
28	56	5.262	133.65	4.971	126.26	4.652	118.16	4.532	115.11	4.212	106.98
30	60	5.574	141.58	5.283	134.19	4.964	126.09	4.844	123.04	4.524	114.91
36	72	6.510	165.35	6.219	157.96	5.900	149.86	5.780	146.81	5.460	138.68
43	86	7.602	193.09	7.311	185.70	6.992	177.60	6.872	174.55	6.552	166.42

# 317 SERIES



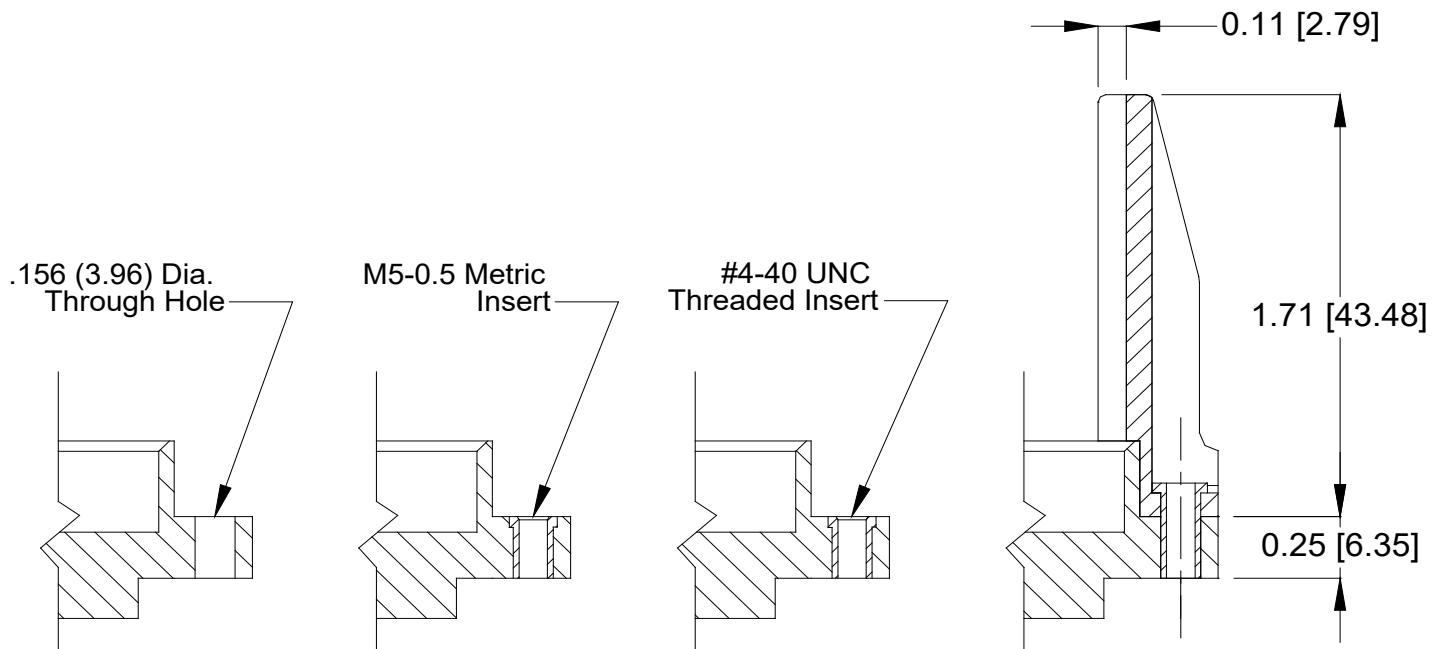
Card Edge Connector 0.156" (3.96mm) Pitch



Code x01

Code x02

Code x03



Code x04

Code x07

Code x08

Code x78