

# 633/634 SERIES



## D-Sub Connectors: Right Angle, High Density, 0.350" (8.89mm) Footprint

### Features:

- High density three contact rows with 0.350" (8.89mm) footprint, right angle bend
- Standard contact spacing and row spacing
- Optional 9th pin recessed on 15 contact size in accordance with VESA Display Data Channel standard
- Plug and receptacle in 15, 26, 44, 62 or 78 contact sizes
- Pin and socket contact mating design with P.C. tail termination
- Metal shell provides EMI/RFI shielding, plug shell indents provide grounding and additional mating retention
- Board mounting features include threaded hole, two or four prong boardlock for exceptional retention to P.C. board
- Flange mounting options for panel mount or connector mating include through hole, threaded holes and threaded standoffs
- D-shaped connector mating outline provides polarization
- Design based on requirements of MIL-C-24038, EIA RS-232 and RS-449



### Specifications:

Insulator Material	Thermoplastic Polyester, UL 94V-0, Chemical Resistant
Contact Material	Plug (Pins): Copper Alloy Receptacle (Socket): Copper Alloy
Contact Plating	Selective Gold (See Ordering Code) over Nickel for the Mating Area, Tin Plating for Tail Area
Shell Material	Nickel Plated Steel
Current Rating	3 amps
Contact Resistance	25 Milliohms maximum
Insulation Resistance	5000 megaohms minimum
Dielectric Withstanding Voltage	1000 V AC rms at Sea Level
Operating Temperature	-55°C To +85°C (upto +125°C for high temp)
Insertion Force	16 oz (4.45 N) Maximum Per Contact Position
Withdrawal Force	1 oz (0.28 N) Minimum Per Contact Position

### Ordering Code:

**634-015-263-032**

SERIES: \_\_\_\_\_  
 633: PLUG (PIN)  
 634: RECEPTACLE (SOCKET)

NO. OF CONTACTS: \_\_\_\_\_  
 015 - 15 CONTACTS    026 - 26 CONTACTS  
 044 - 44 CONTACTS    062 - 62 CONTACTS  
 078 - 78 CONTACTS

CONTACT FINISH CODE: \_\_\_\_\_  
 2 - GOLD FLASH PLATING  
 3 - 15 MICROINCHES OF GOLD PLATING  
 6 - 30 MICROINCHES OF GOLD PLATING

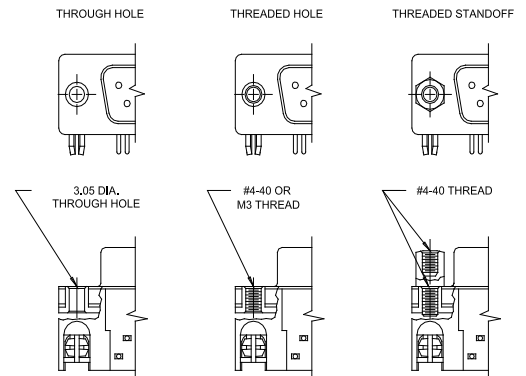
CONTACT CODE: \_\_\_\_\_  
 63 - STANDARD CONTACT  
 74 - 9TH PIN CONTACT RECESSED FOR 15-PIN, BLUE INSULATOR (RECEPTACLE ONLY)

FLANGE MOUNTING OPTIONS:  
 0 - #4-40 THREADED FIXED STANDOFF  
 1 - Ø.120" (Ø3.05MM) THROUGH HOLE  
 2 - #4-40 THREADED HOLE  
 3 - #4-40 THREADED STANDOFF  
 5 - M3 THREADED HOLE

BOARD MOUNTING FEATURE:  
 1 - Ø.120" (Ø3.05MM) THROUGH HOLE  
 3 - TWO PRONG BOARDLOCKS  
 4 - FOUR PRONG BOARDLOCKS  
 5 - #4-40 THREADED HOLE  
 (78 CONTACTS ONLY AVAILABLE WITH TWO PRONG BOARDLOCKS)

MATERIAL CODE:  
 0 - STANDARD  
 5 - HIGH TEMP INSULATOR

### FLANGE MOUNTING OPTIONS

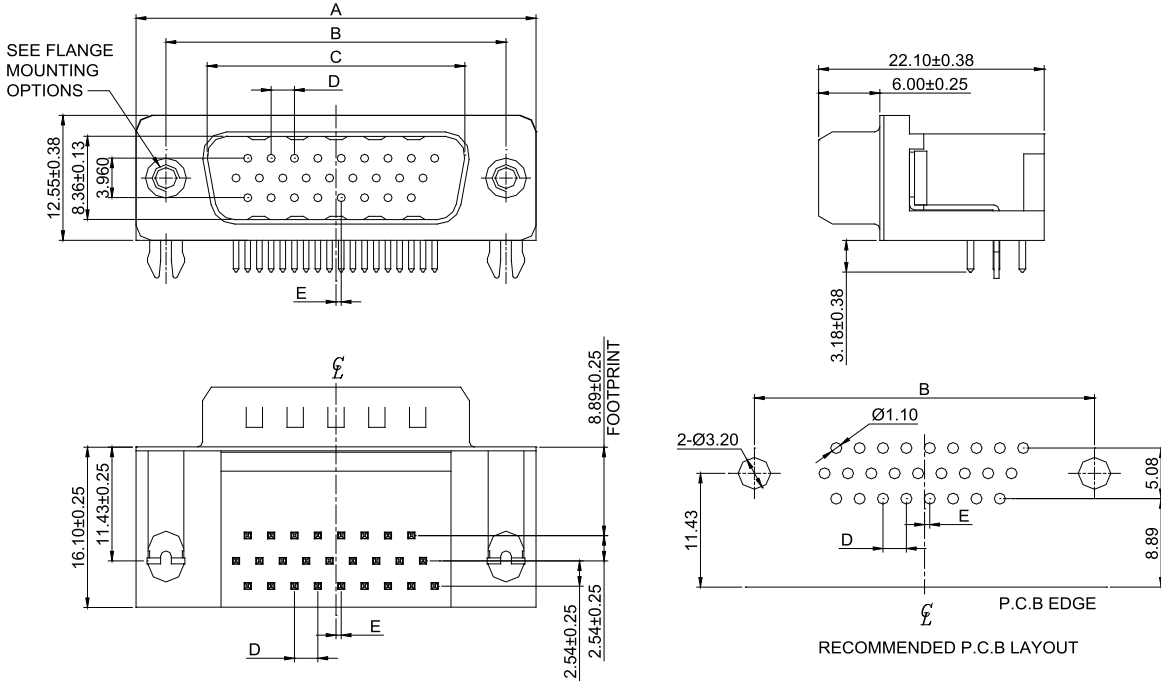


# 633/634 SERIES



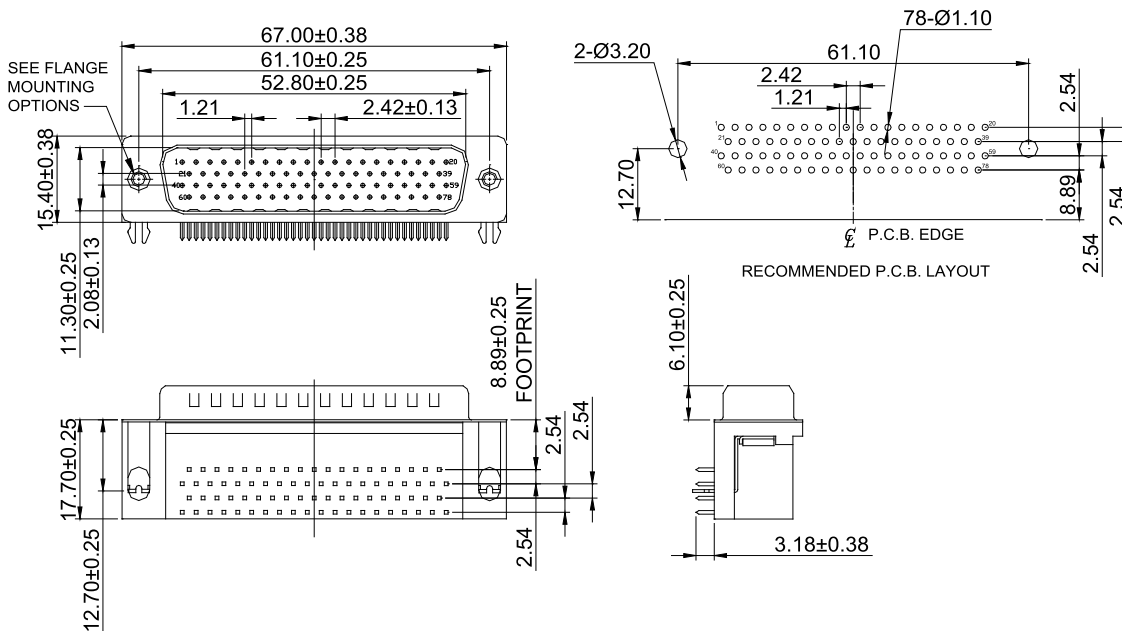
## D-Sub Connectors: Right Angle, High Density, 0.350" (8.89mm) Footprint

### PLUG 633 SERIES (15 TO 62 PINS)



NUMBER OF CONTACTS	A±0.38		B±0.25		C±0.13		D±0.13		E±0.25	
	Inch	(mm)	Inch	(mm)	Inch	(mm)	Inch	(mm)	Inch	(mm)
15	1.213	(30.81)	.984	(24.99)	.666	(16.92)	.090	(2.29)	.010	(0.25)
26	1.543	(39.19)	1.312	(33.32)	.994	(25.25)	.090	(2.29)	.020	(0.51)
44	2.088	(53.04)	1.852	(47.04)	1.534	(38.96)	.090	(2.29)	.020	(0.51)
62	2.729	(69.32)	2.500	(63.50)	2.182	(55.42)	.095	(2.41)	.023	(0.58)

### PLUG 633 SERIES (78 PINS)

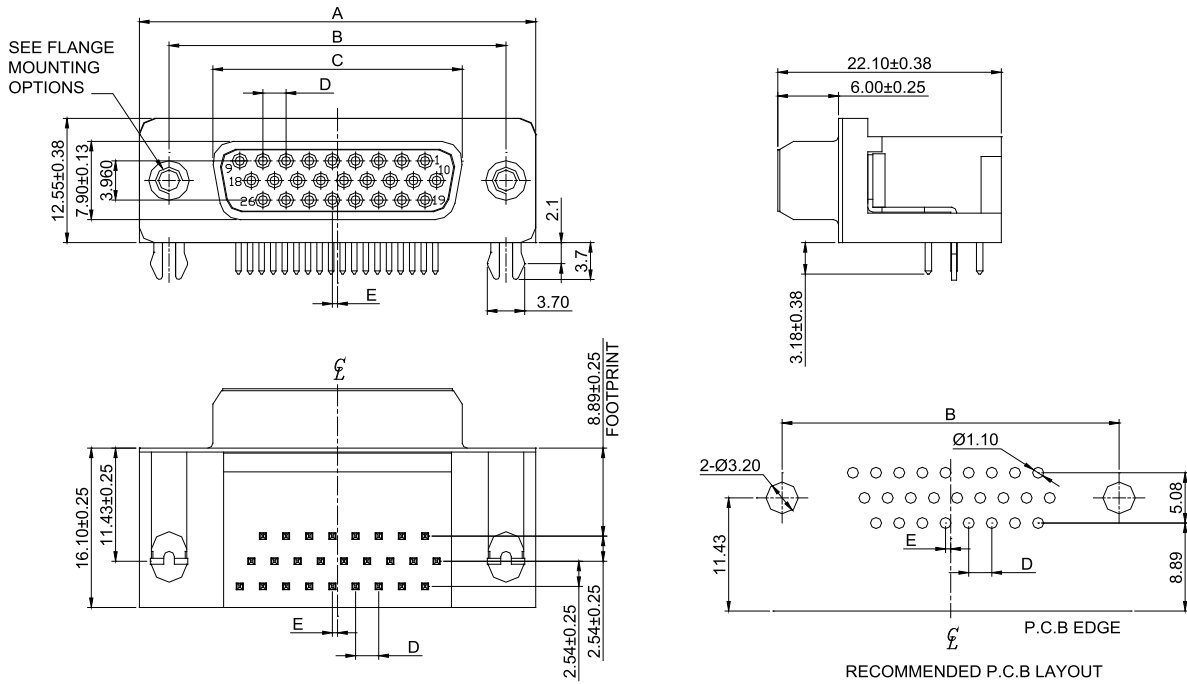


# 633/634 SERIES



## D-Sub Connectors: Right Angle, High Density, 0.350" (8.89mm) Footprint

### RECEPTACLE 634 SERIES (15 TO 62 PINS)



NUMBER OF CONTACTS	A±0.38		B±0.25		C±0.13		D±0.13		E±0.25	
	Inch	(mm)	Inch	(mm)	Inch	(mm)	Inch	(mm)	Inch	(mm)
15	1.213	(30.81)	.984	(24.99)	.643	(16.33)	.090	(2.29)	.010	(0.25)
26	1.543	(39.19)	1.312	(33.32)	.971	(24.66)	.090	(2.29)	.020	(0.51)
44	2.088	(53.04)	1.852	(47.04)	1.511	(38.38)	.090	(2.29)	.020	(0.51)
62	2.729	(69.32)	2.500	(63.50)	2.159	(54.84)	.095	(2.41)	.023	(0.58)

### RECEPTACLE 634 SERIES (78 PINS)

