

627M/628M SERIES



Machined D-Sub Connectors: Vertical

Features:

- Standard density, straight D-Sub with machined contacts
- 0.109"(2.77mm) contact spacing x 0.112"(2.84mm) row spacing
- Plug and receptacle in 9, 15, 25, 37 or 50 contact sizes
- Pin and socket contact mating design with P.C. tail, and solder cup termination
- Metal shell provides EMI/RFI shielding, plug shell indents provide grounding and additional mating retention
- Grounding features include boardlock for exceptional retention to P.C. board
- Mounting options for panel mount or connector mating include through hole, threaded inserts and threaded standoffs
- Insulation housings are offered in different colors: black, white, green and blue
- D-shaped connector mating outline provides polarization



Specifications:

Insulator Material	PA6T, UL 94V-0, Color: Black, White, Blue or Green
Contact Material	Precision Machined Copper Alloy
Contact Plating	Gold Plating over Nickel All Over
Shell Material	Nickel Plated Steel (Optional Tin Plating)
Current Rating	5 amps
Contact Resistance	10 Milliohms maximum
Dielectric Withstanding Voltage	5000 megaohms minimum
Insulation Resistance	1000 V AC rms at Sea Level
Operating Temperature	-55°C To +125°C

Ordering Code:

627-M25-220-BN3

SERIES: _____
 627: PLUG (PIN)
 628: RECEPTACLE (SOCKET)

M: MACHINED CONTACTS _____

NO. OF CONTACTS: _____
 09 - 9 CONTACTS 25 - 25 CONTACTS
 15 - 15 CONTACTS 37 - 37 CONTACTS
 50 - 50 CONTACTS

CONTACT FINISH CODE: _____
 2 - GOLD FLASH PLATING
 3 - 15 MICROINCHES OF GOLD PLATING
 6 - 30 MICROINCHES OF GOLD PLATING

CONTACT CODE: _____
 20 - .224"(5.70mm) PC TAIL (ONLY FOR PLUG)
 21 - .232"(5.90mm) PC TAIL (ONLY FOR RECEPTACLE)
 22 - SOLDER CUP TAIL
 23 - .495".(12.57mm) PC TAIL

MOUNTING & GROUNDING OPTIONS:
 1 - Ø.120"(Ø3.05MM) THROUGH HOLE
 2 - 4-40 UNC, 2.7MM THREADED INSERT

(NOTE: CODES 3, 4, 5, & 6 ARE FOR PC TAIL ONLY)
 3 - 4-40 UNC THREADED BOARDSPACER
 4 - 4-40 UNC THREADED STANDOFF WITH THREADED BOARDSPACER
 5 - 4-40 UNC THREADED BOARDSPACER WITH BOARDLOCKS
 6 - 4-40 UNC THREADED STANDOFF WITH BOARDSPACER & BOARDLOCKS

SHELL PLATING CODE:
 N - NICKEL
 T - TIN

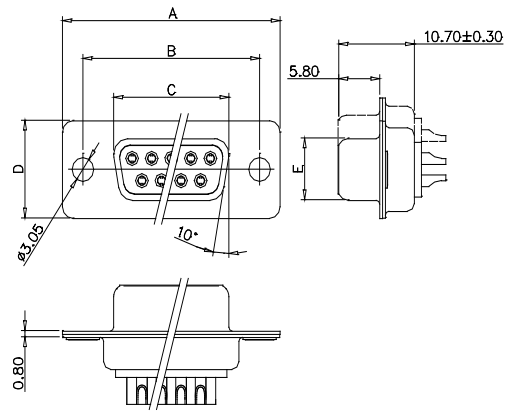
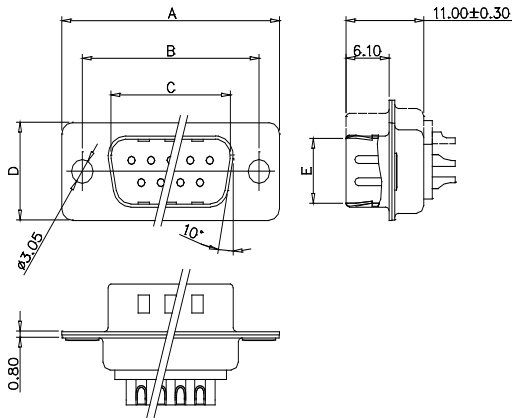
HOUSING MATERIAL CODE:
 B - BLACK
 W - WHITE
 G - GREEN
 L - BLUE

627M/628M SERIES

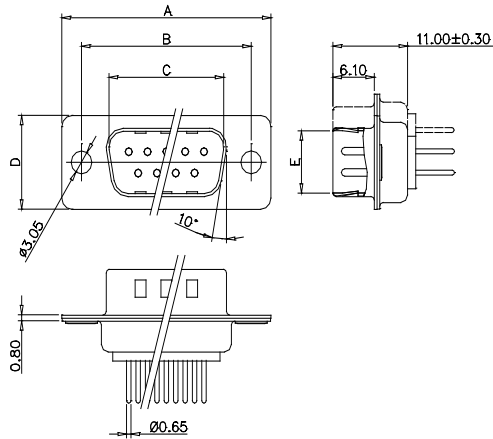


Machined D-Sub Connectors: Vertical

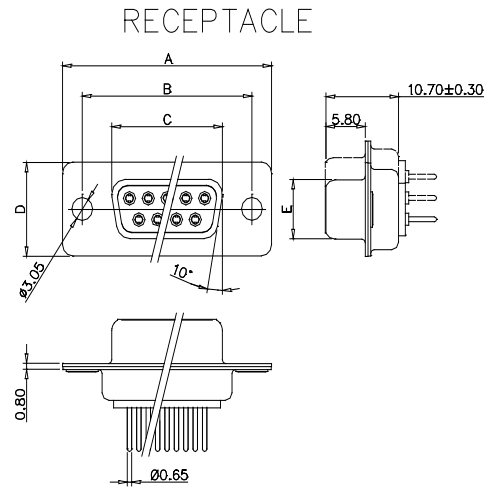
SOLDER CUP



PC TAIL



PLUG



RECEPTACLE

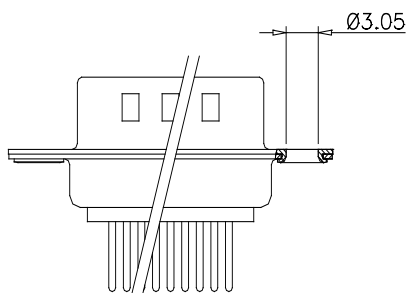
No. of Pos.	A	B	C	D	E
09	30.80	25.00	16.90	12.50	8.30
15	39.20	33.30	25.25	12.50	8.30
25	53.05	47.05	38.95	12.50	8.30
37	69.40	63.50	55.40	12.50	8.30
50	67.00	61.00	52.80	15.30	11.15

No. of Pos.	A	B	C	D	E
09	30.80	25.00	16.30	12.50	7.90
15	39.20	33.30	24.60	12.50	7.90
25	53.05	47.05	38.40	12.50	7.90
37	69.40	63.50	54.80	12.50	7.90
50	67.00	61.00	52.20	15.30	10.90

MOUNTING & GROUNDING OPTIONS:

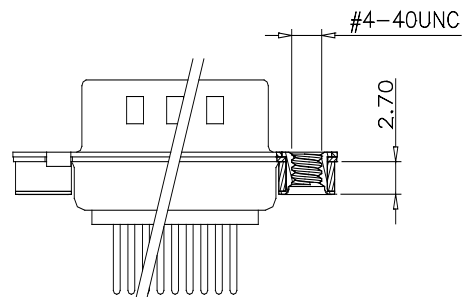
CODE - 1

Ø3.05 Through Hole



CODE - 2

#4-40 UNC, 2.7mm Threaded Insert



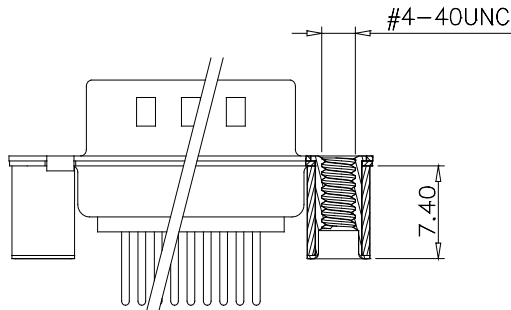
627M/628M SERIES



Machined D-Sub Connectors: Vertical

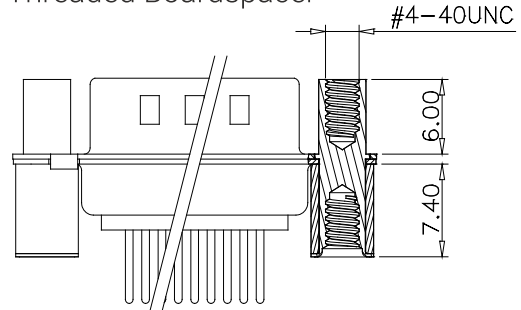
CODE - 3

#4-40 UNC Threaded Boardspacer



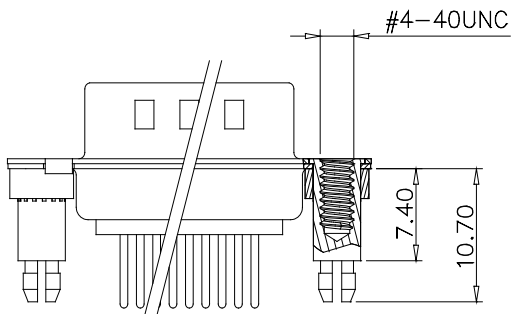
CODE - 4

#4-40 UNC Threaded Standoff with Threaded Boardspacer



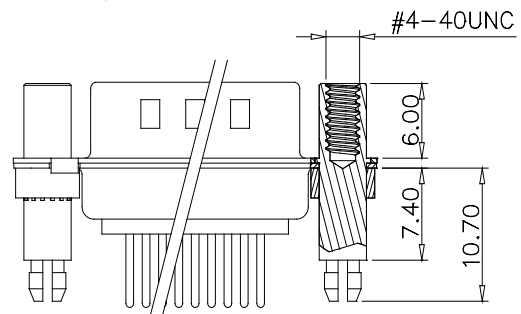
CODE - 5

#4-40 UNC Threaded Boardspacer with Boardlocks

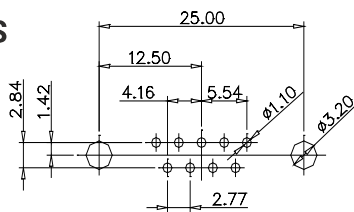


CODE - 6

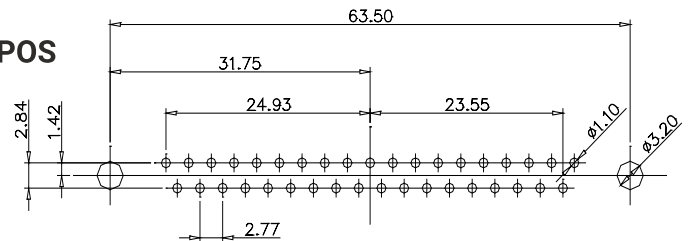
#4-40 UNC Threaded Standoff with Boardspacer & Boardlocks



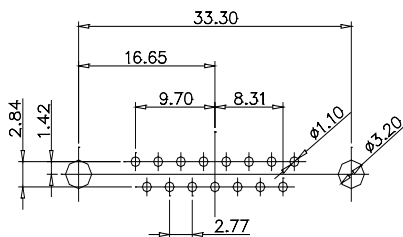
9 POS



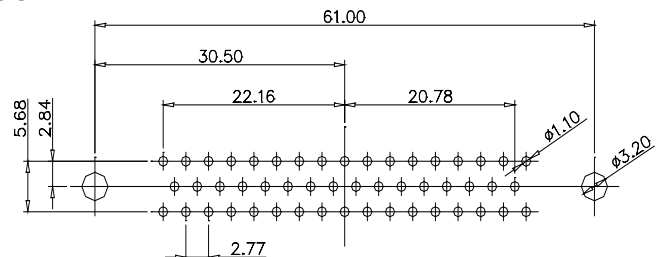
37 POS



15 POS



50 POS



25 POS

